

Unit : mm

60 lumen	600 days*		<b>RF 1.1</b>
----------	-----------	--	---------------

**Benefits**

- Battery operated (cordless)
- Easy and simple to install
- Long operating time
- Easy battery replacement

**Specifications**

• Luminous intensity	60 lm
• Powered by	3 x AA
• Operating time*	600 days
• Sensor	Automatic motion & photo sensor detection
• Sensor detection range	8 meters & 110 degrees
• Adjustable headlamps	Up & down, left & right
• Light modes	On / Off / Auto
• Detection time	Auto mode : 10 seconds
• IP rating	IP55
• Product dimension	159.3 x 70 x 113.4mm
• Fitting	Wall or ceiling mount

\* On auto mode with new alkaline batteries based on 5 operations per day.



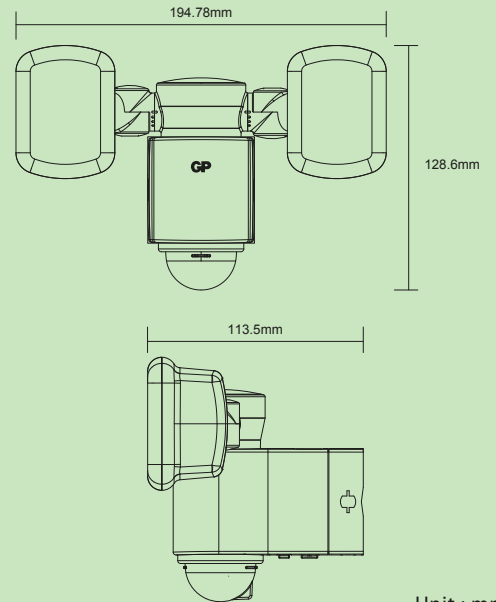
**Applications**

Driveways, garages, patios, back gardens and doorways

Manufacturer reserves the right to alter or amend the design, model and specification without prior notice.

Copyright© GPI International Ltd.- All rights reserved





120 lumen	300 days*		<b>RF 2.1</b>
-----------	-----------	--	---------------

### Benefits

- Battery operated (cordless)
- Easy and simple to install
- Long operating time
- Easy battery replacement

### Specifications

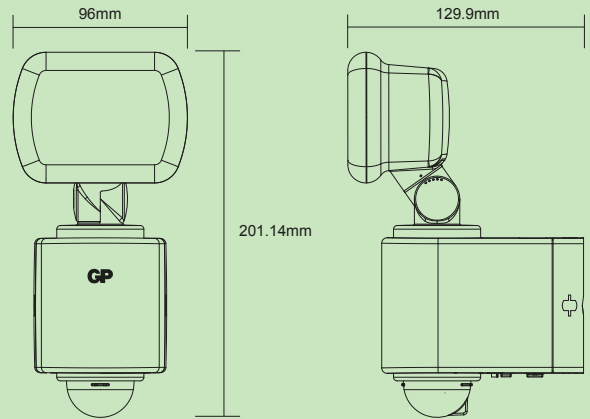
• Luminous intensity	120 lm
• Powered by	3 x AA
• Operating time*	300 days
• Sensor	Automatic motion & photo sensor detection
• Sensor detection range	8 meters & 110 degrees
• Adjustable headlamps	Up & down, left & right
• Light modes	On / Off / Auto
• Detection time	Auto mode : 10 seconds
• IP rating	IP55
• Product dimension	128.6 x 194.8 x 113.5mm
• Fitting	Wall or ceiling mount

\* On auto mode with new alkaline batteries based on 5 operations per day.

### Applications

Driveways, garages, patios, back gardens and doorways





Unit : mm

130 lumen	600 days*		<b>RF 3.1</b>
-----------	-----------	--	---------------

**Benefits**

- Battery operated (cordless)
- Easy and simple to install
- Long operating time
- Easy battery replacement

**Specifications**

• Luminous intensity	130 lm
• Powered by	3 x C
• Operating time*	600 days
• Sensor	Automatic motion & photo sensor detection
• Sensor detection range	8 meters & 110 degrees
• Adjustable headlamps	Up & down, left & right
• Light modes	On / Off / Auto
• Detection time	Auto mode : 10 seconds
• IP rating	IP55
• Product dimension	201.1 x 96 x 129.9mm
• Fitting	Wall or ceiling mount

\* On auto mode with new alkaline batteries based on 5 operations per day.



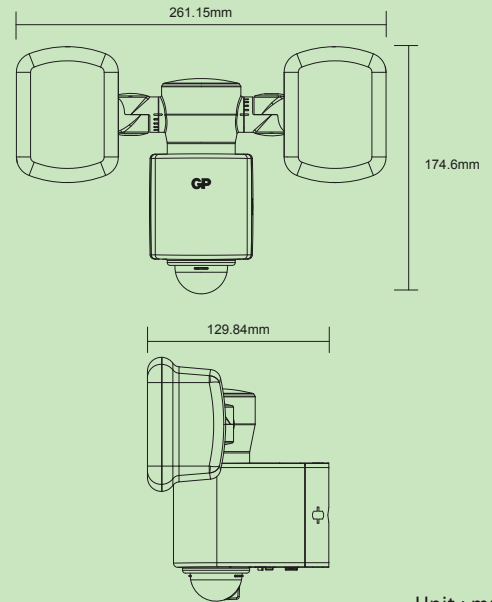
**Applications**

Driveways, garages, patios, back gardens and doorways

Manufacturer reserves the right to alter or amend the design, model and specification without prior notice.

Copyright© GPI International Ltd.- All rights reserved





Unit : mm

 260 lumen	 300 days*	 RF 4.1
---	---	--

**Benefits**

- Battery operated (cordless)
- Easy and simple to install
- Long operating time
- Easy battery replacement

**Specifications**

• Luminous intensity	260 lm
• Powered by	3 x C
• Operating time*	300 days
• Sensor	Automatic motion & photo sensor detection
• Sensor detection range	8 meters & 110 degrees
• Adjustable headlamps	Up & down, left & right
• Light modes	On / Off / Auto
• Detection time	Auto mode : 10 seconds
• IP rating	IP55
• Product dimension	174.6 x 261.1 x 129.8mm
• Fitting	Wall or ceiling mount

\* On auto mode with new alkaline batteries based on 5 operations per day.

**Applications**

Driveways, garages, patios, back gardens and doorways

